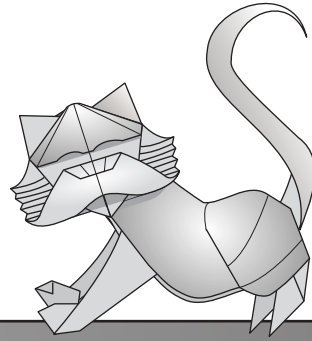


Creation & Diagram :
Nicolas TERRY

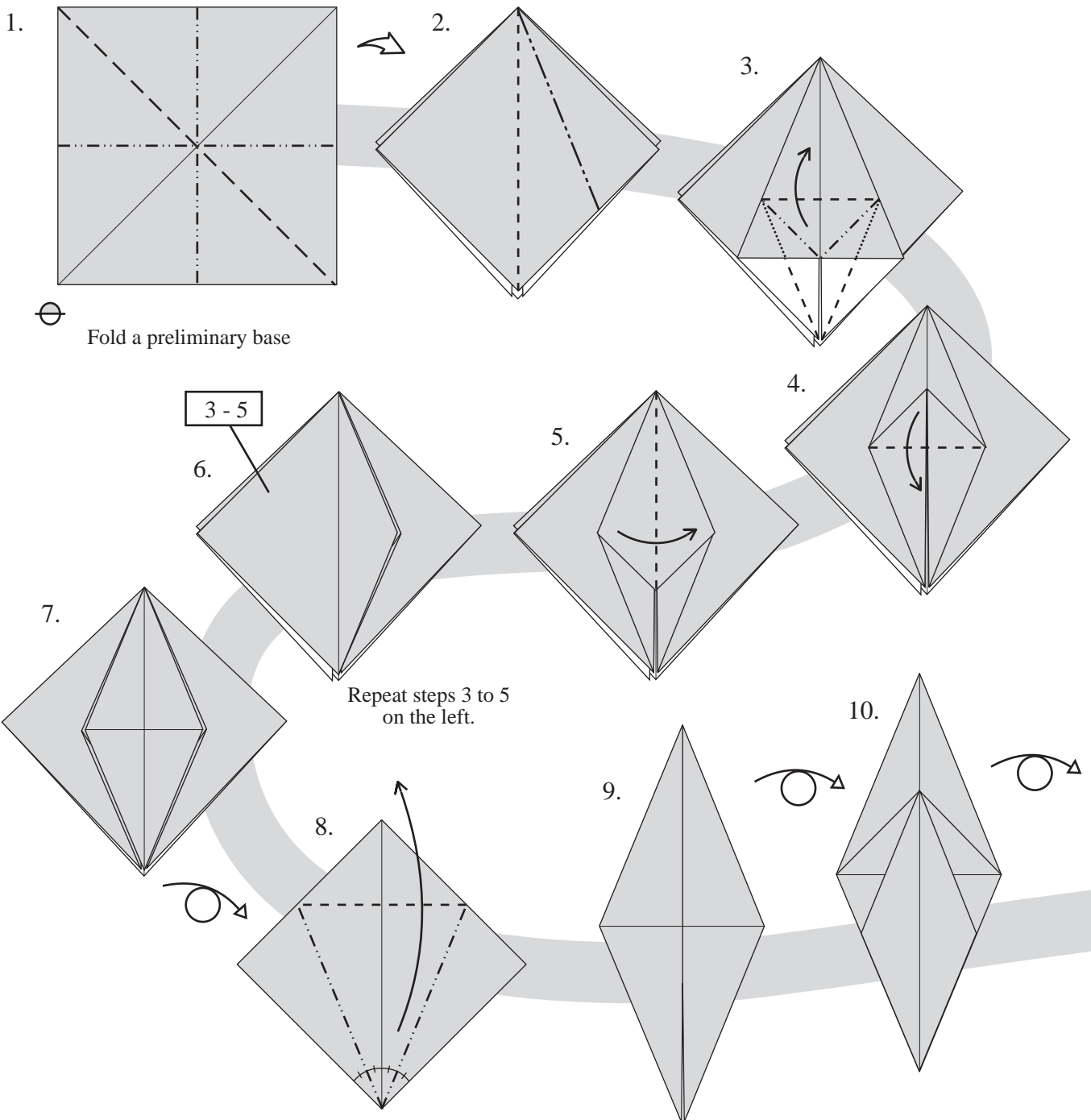
Chat de Bonn

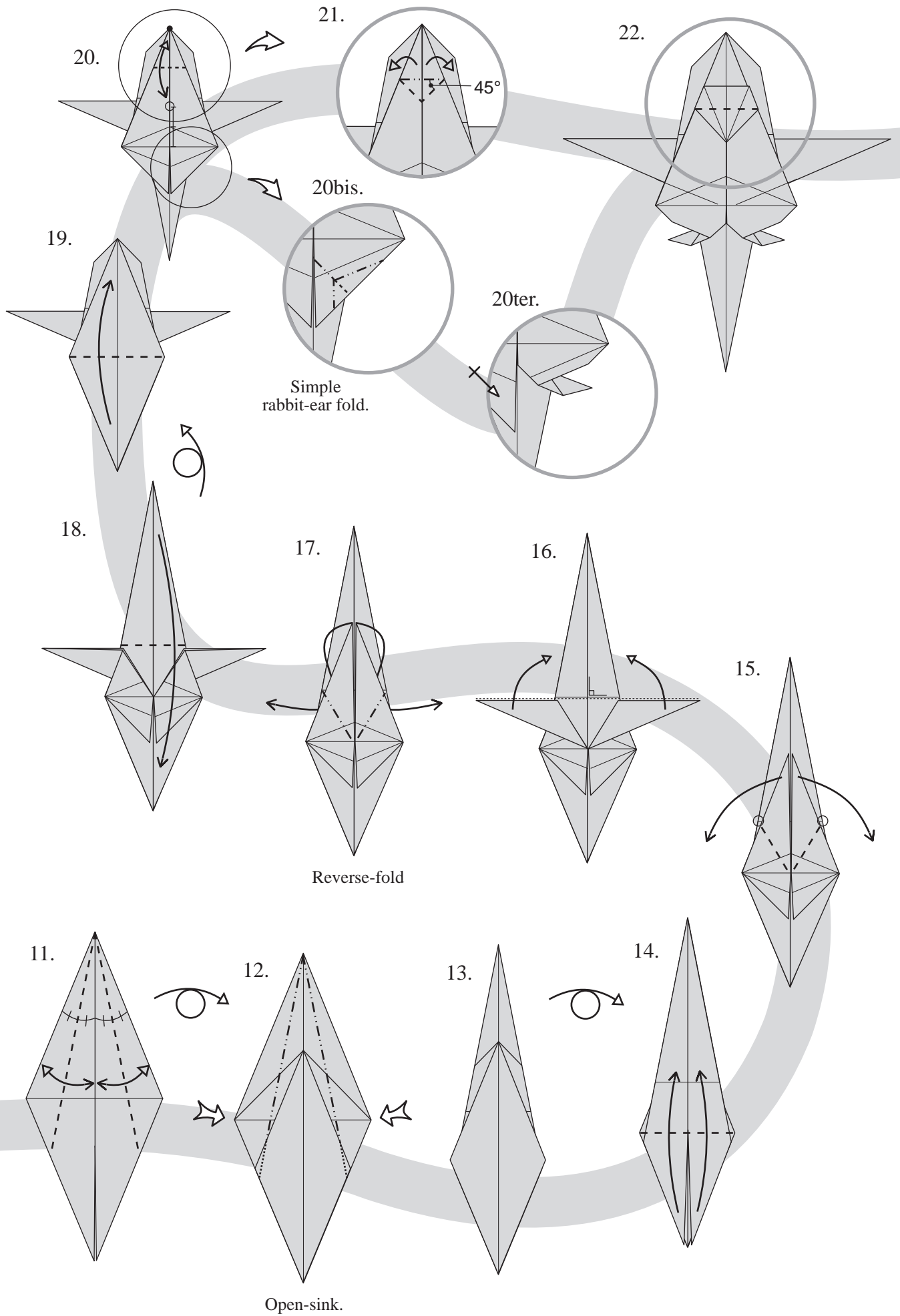


<http://www.passionorigami.com>

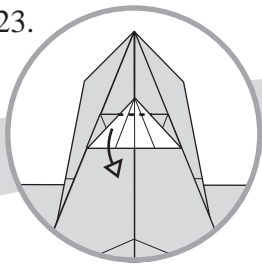
- Creation #91 / Date : 05-2007 45 mn
- Level : intermediate
- Dimension (R=0.35) :
A 20 cm square makes a 7 x 7 cm model.

Paper :
 Standard paper
 Tissue-foil
 Wet folding

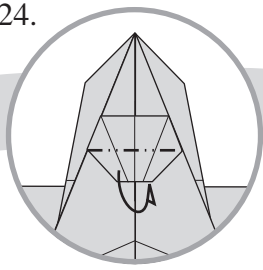




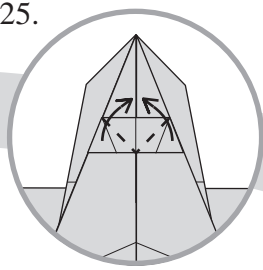
23.



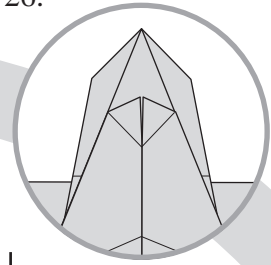
24.



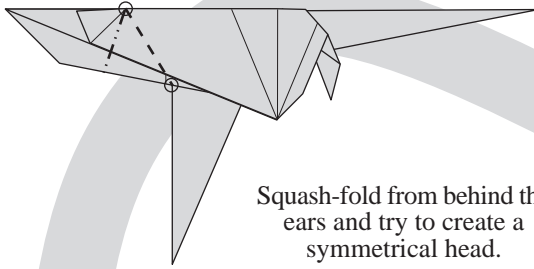
25.



26.

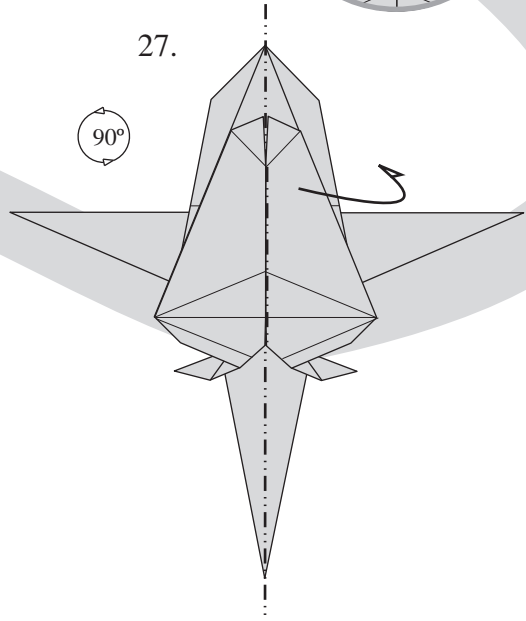


28.

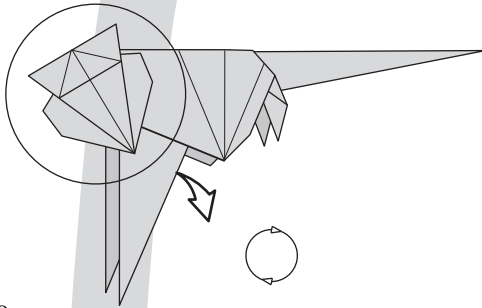


Squash-fold from behind the ears and try to create a symmetrical head.

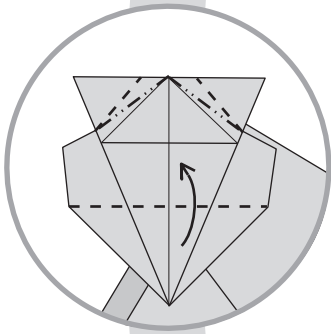
27.



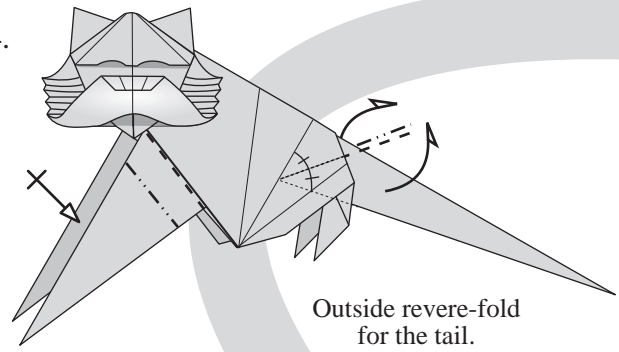
29.



30.

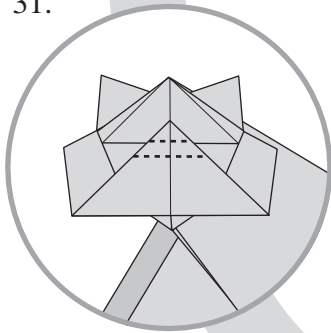


34.

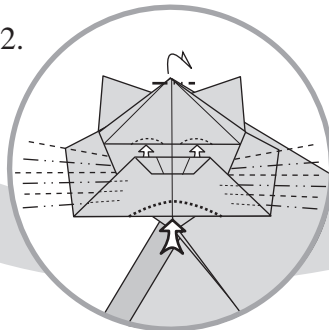


Outside reverse-fold for the tail.

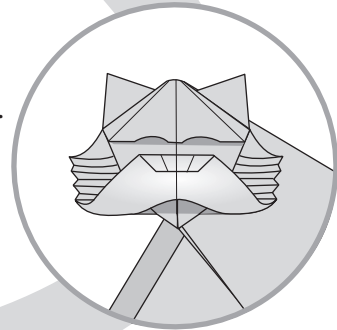
31.



32.



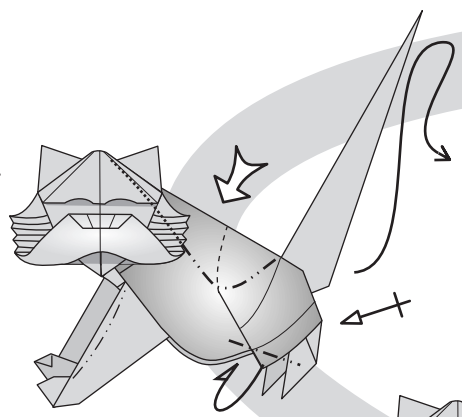
33.



42.

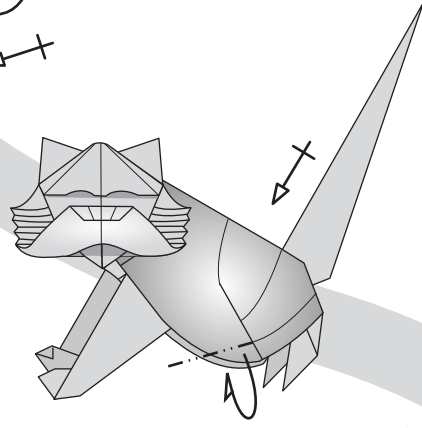


41.

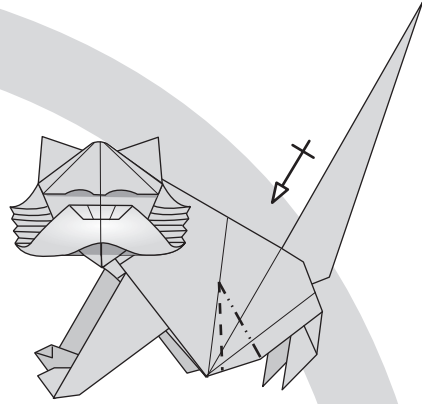


Shape.

40.

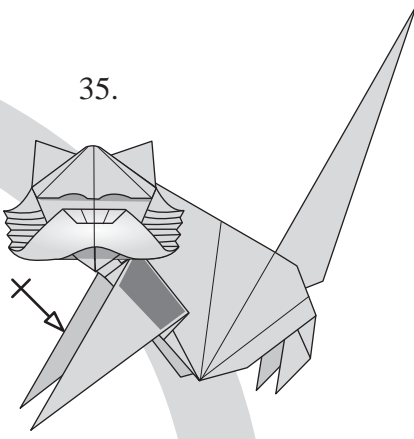


39.



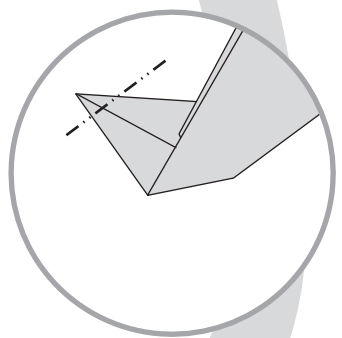
Round the belly.

35.

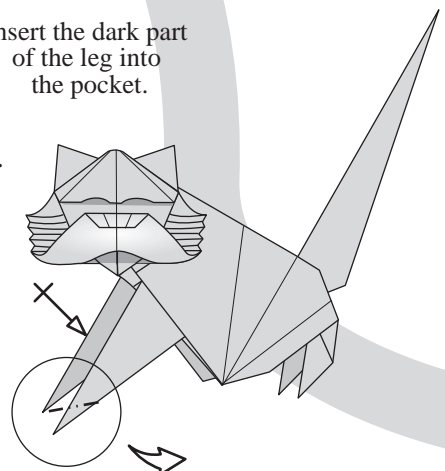


Insert the dark part of the leg into the pocket.

38.



36.



Squash-fold the tip of the legs.

37.

