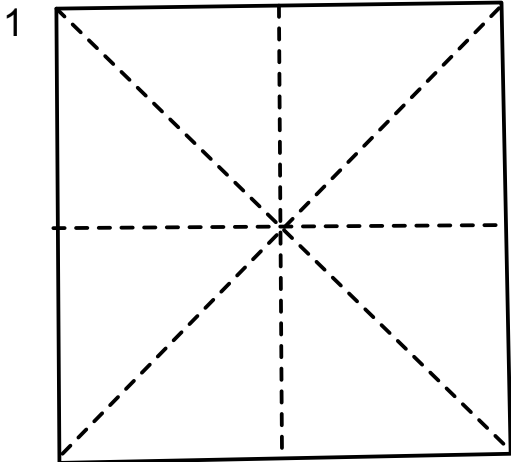


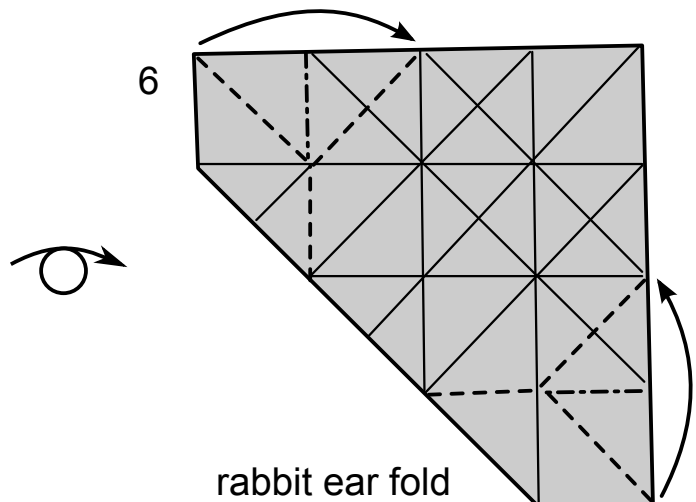
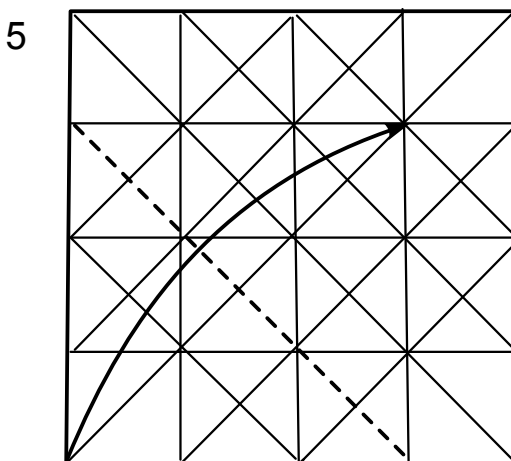
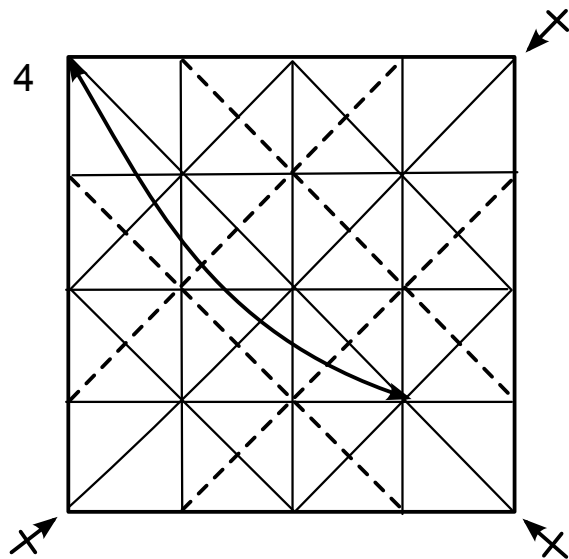
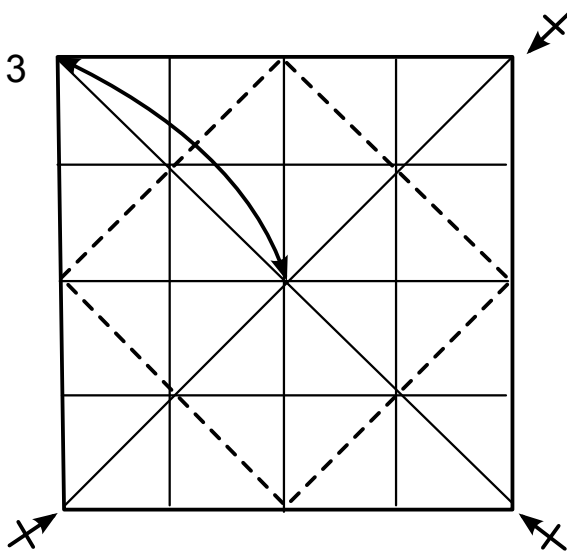
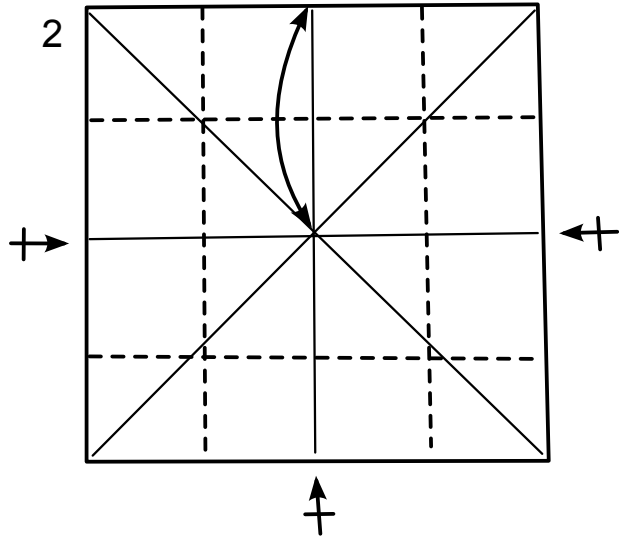
Belette ou Hermine (weasel)
design and diagram Matthieu Chicouène, 14/11/2017



kami 2 colors, 15x15 cm

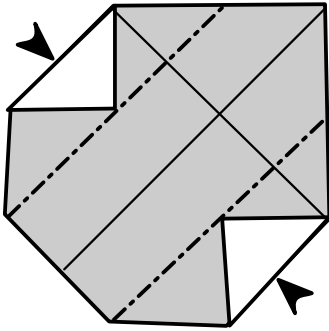


fold and unfold

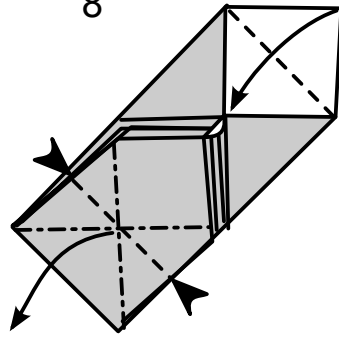


rabbit ear fold

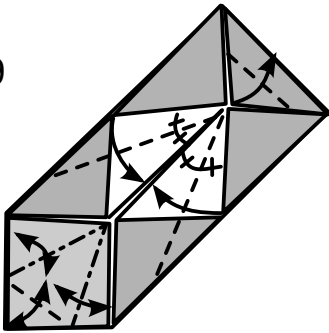
7



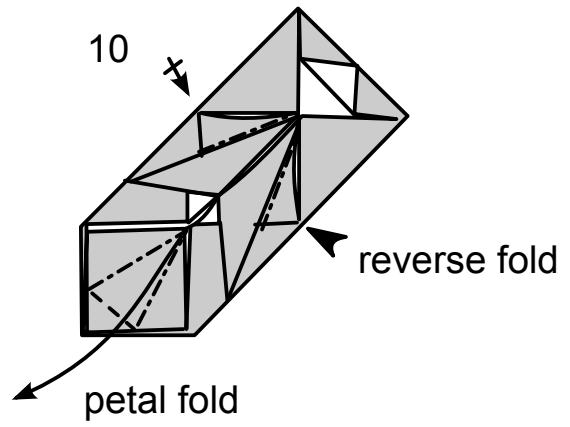
8



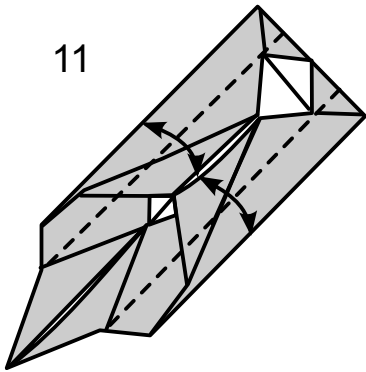
9



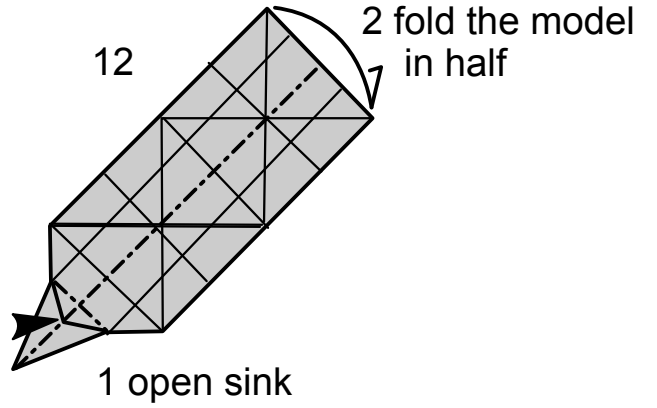
10



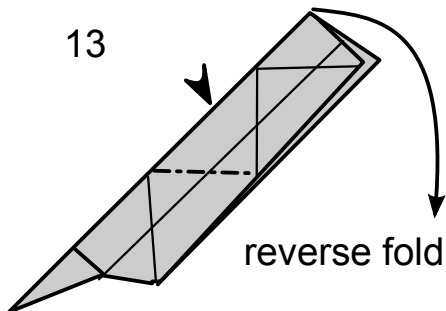
11



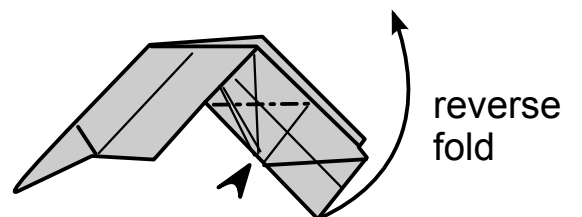
12

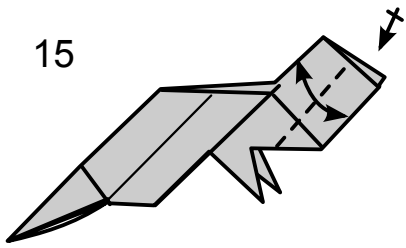


13



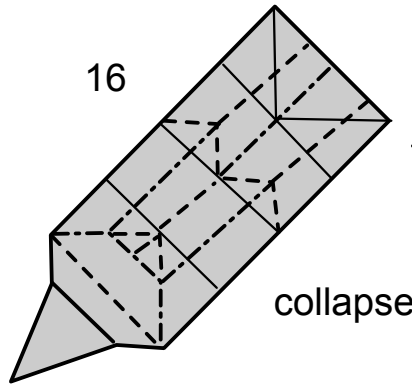
14





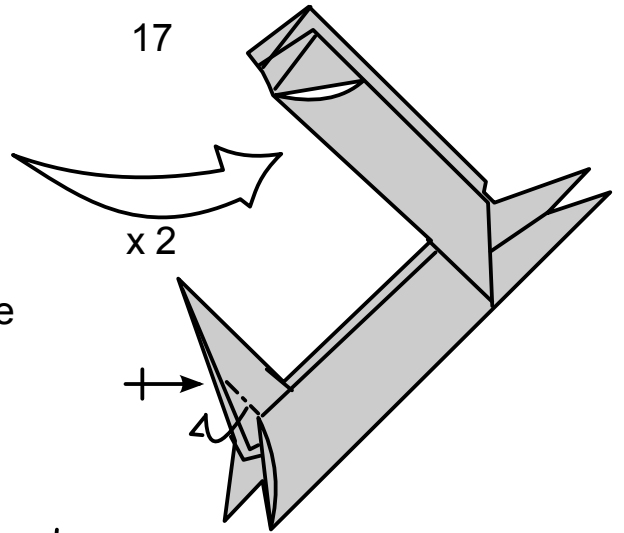
15

fold and unfold
then unfold to step 12,
keeping the sink



16

collapse

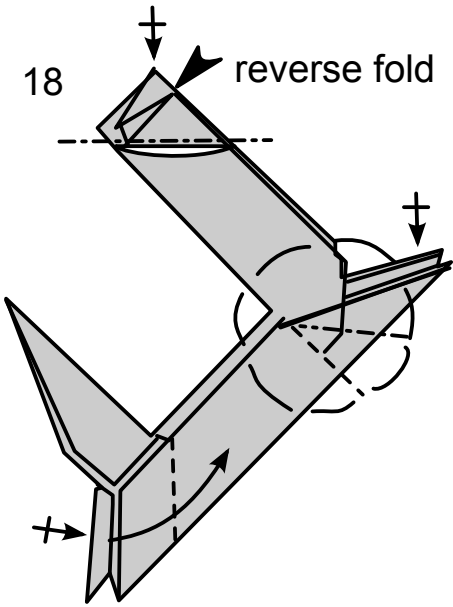


17

x 2

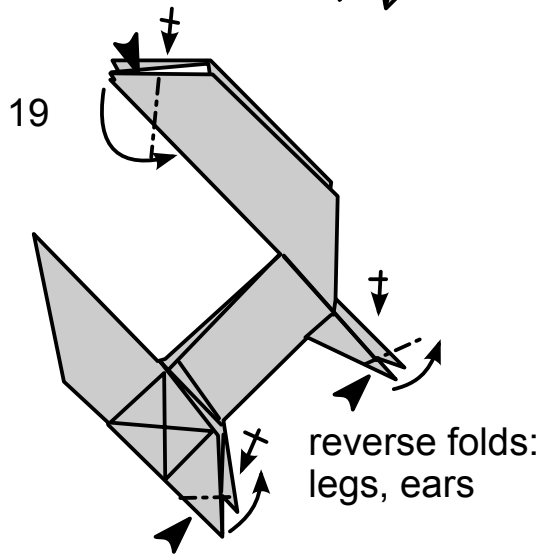
+

4



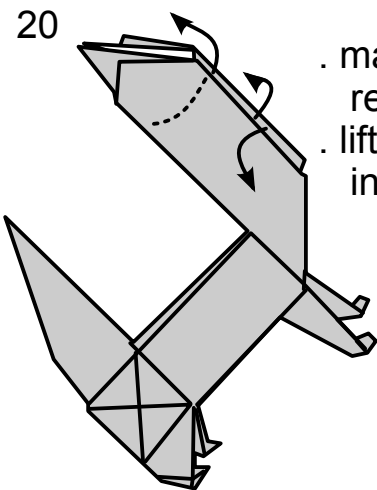
18

reverse fold



19

reverse folds:
legs, ears

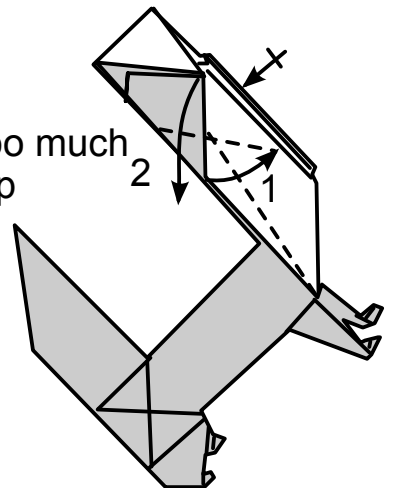


20

. make a color change by
reversing the inner corner
. lift up the hidden corner
in the head

do not fold 2 too much
in order to keep
the head 3D

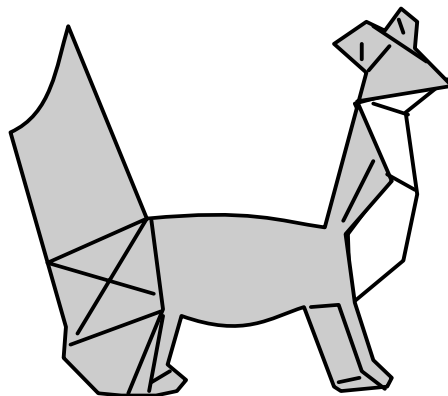
21



2

1

you can add 1 or 2
crimps on the body
to give the weasel a
more natural posture



feel free to share